

# USER MANUAL



Thank you for choosing Better Bathrooms.  
Please read this manual before installing your product  
and keep for future reference.

**better  
bathrooms**

Product name

Thermostatic Mixer Shower Set

Product code/s BeBa\_27789 BeBa VIRASQCH  
VIRARDCH ZANASQMB



- Single person assembly
- **Tools required**
- **We always recommend using professional tradespeople to install your product**

V2 28.02.23

# **Congratulations on your purchase**

And welcome to our growing gang of savvy shoppers

We're on a mission to bring you extraordinary bathroom products, for less. From modern to traditional style ceramics, plus the gorgeous fixtures, fittings and furniture to match. So, you can fall in love with your space every single day.

As one of the UK's largest independent bathroom stores, we've received countless awards; including the National Business Awards UK, the Digital Entrepreneur Awards and being placed on The Sunday Times Fast Track 100.

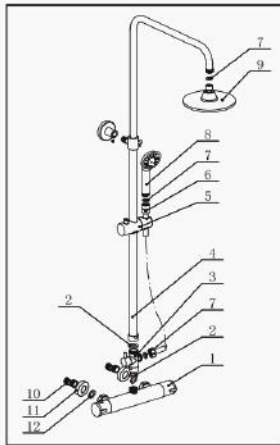
We hope your new product goes above and beyond your expectations. However, should any problems occur, please:

- log in to your account and contact our customer services team via your self-serve portal – [betterbathrooms.com/Account/Login](https://betterbathrooms.com/Account/Login)
- contact us via [betterbathrooms.com/contact-us](https://betterbathrooms.com/contact-us)

## **Important information**

- Please read these instructions thoroughly and retain for future reference
- Pressures should meet minimum stated on the website
- Pressures must be balanced for optimum performance
- Always check for pipes and cables before drilling
- System must be flushed through prior to installation

## Parts / Diagrams



1. Shower valve	X1
2. Washer	X2
3. Diverter	X1
4. Slider set	X1
5. Handset holder	X1
6. Hose nut	X1
7. Washer	X2
8. Handset	X1
9. Head shower	X1
10. Wall elbow	X2
11. Cover plate	X2
12. Washer	X2

## Tools required

- Spanner, Screw Driver, Hammer, Allen Key  
Spirit Level and PTFE Tape etc.

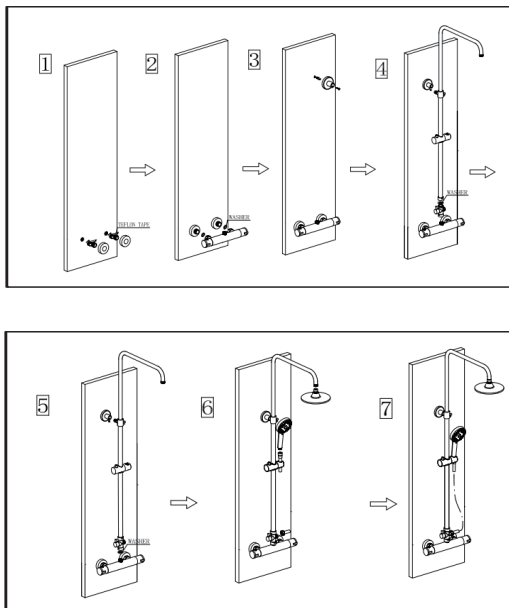
# TECHNICAL DATA

1. Pressure range 0.5 bar minimum to 5 bar maximum, if the pressure exceeds 5 bar a pressure reducing valve not supplied must be fitted
2. Cold Supply Temperature: 4-29°C; Hot Supply Temperature: 55-58°C;
3. Thermostatic Temperature Range: 20-50°C
4. Pre-set Temperature: 38°C
5. Safety Mechanism: The mixed water will be immediately cut off when the cold supply is not effective.
6. Precise Temperature: It takes approximately 5 seconds to achieve the desired temperature. The actual working temperature will be within +2°C of the temperature.
7. Temperature Stability: The outlet temperature variation will be within +2°C when the inlet temperature is stable and the hot and cold pressure varies by 50%. The outlet temperature variation will be within +2°C when the inlet pressure is stable and the hot supply temperature increases from 60°C to 75°C (5C/min).

# Installation

**Please note:** Before starting the installation of a new mixer, turn off the water supply

**Please note:** HOT supply to the left and COLD supply to the right



1. Fit cranked connectors to the water inlets in the wall.
2. Screw the cover plates onto the cranked connectors until they come into contact with the wall. Seal with the suitable sealant.
3. Fix the connector of the shower bar valve to the cranked connectors ensuring the hot inlet is on the left and cold inlet is on the right. Please use a cotton sheet inside the spanner when tightening the connectors to avoid scratching the surface.
4. Place the slider rail assembly in desired final position and measure the installation height of the shower set with tape. Mark the drilling positions for securing the fixing bracket to the wall using a pencil.
5. Drill through marked positions on the wall then inset wall plugs into the wall holes.
6. Secure the fixing bracket to the wall using screws.

7.Align the shower valve and sliding rail assembly,Tighten the nuts using an adjustable spanner.

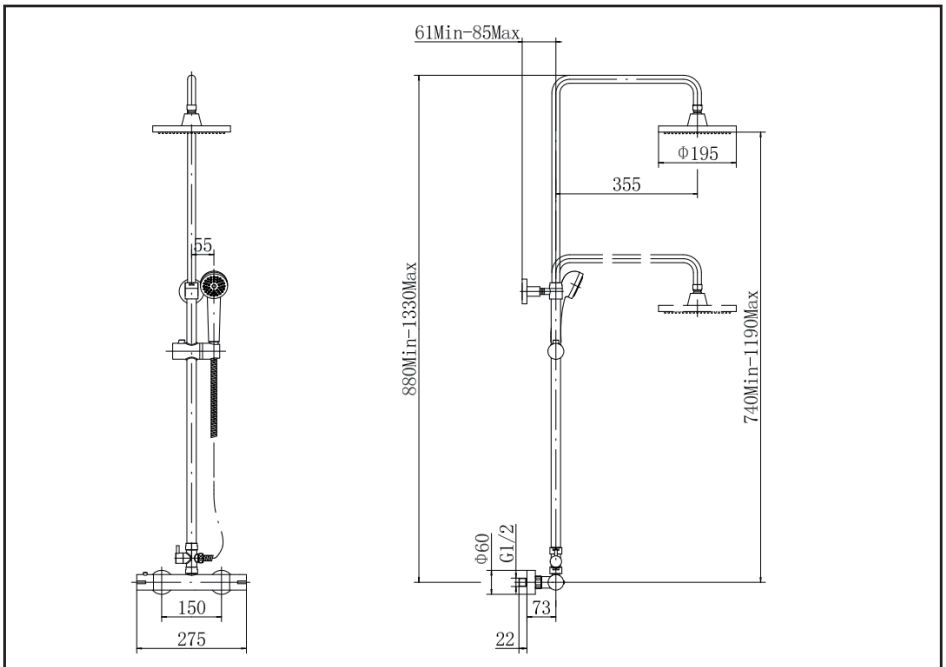
8.Fit tightening screw into the fixing bracket using an allen key.Secure the top end of the sliding assembly to the fixing bracket on the wall.

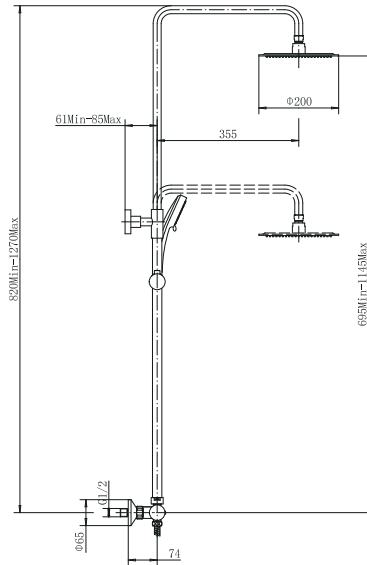
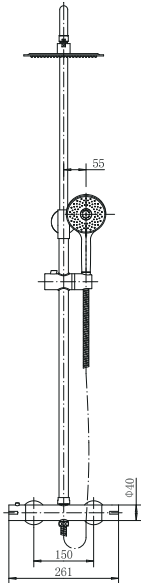
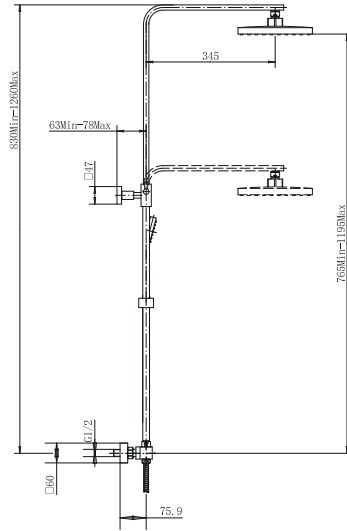
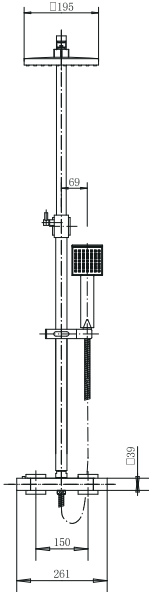
9.Connect top shower head,shower hose and hand shower.

Note:Please insert each washer before connection.

10.Turn on water supply and check for leaks

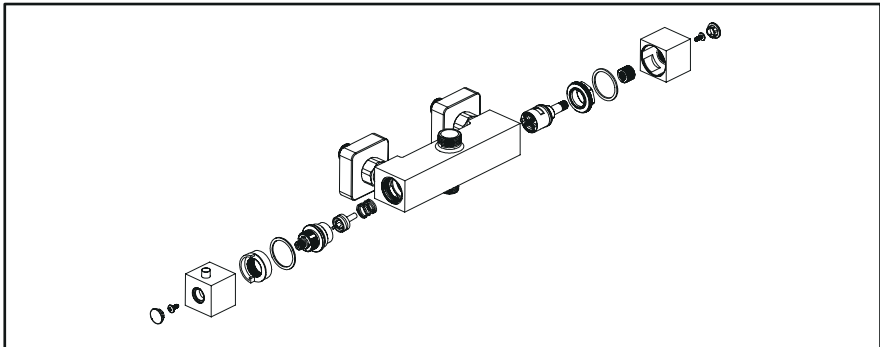
## Dimension drawing



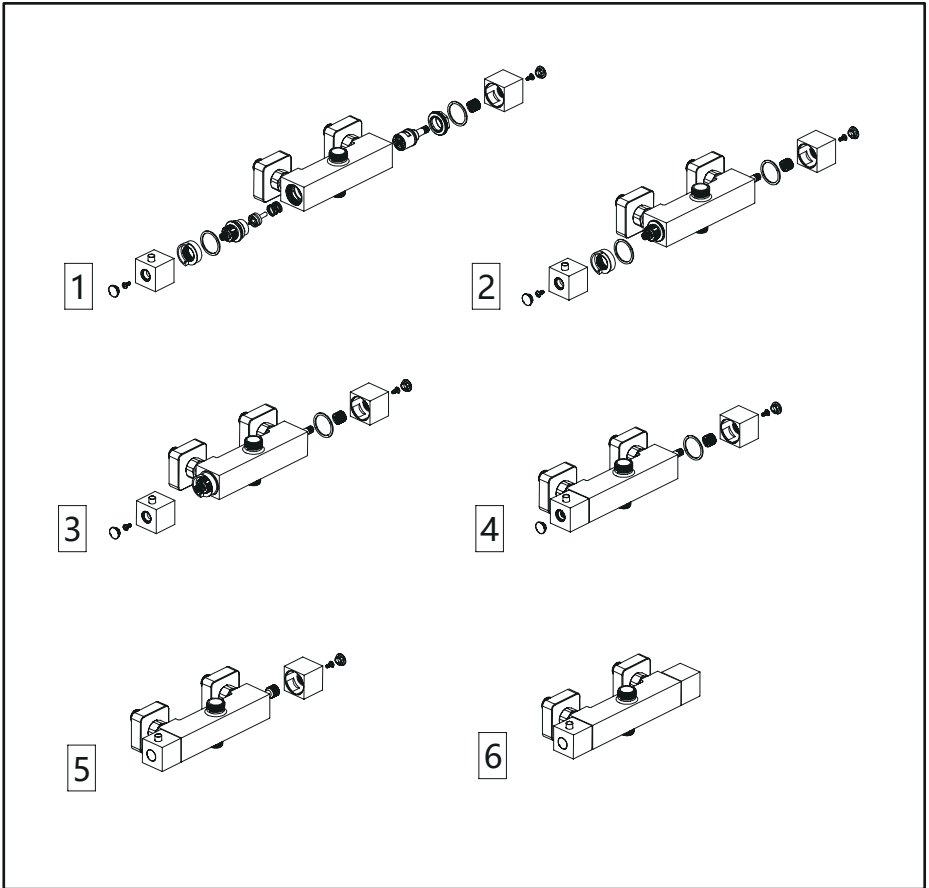


# Troubleshooter Guide

Issue	Result	Action
Dripping for a short period after closure	This is normal as the product is emptying	None
Dripping continually after closure	Debris in the flow control valve	Remove valve and clean out and replace
Water jumps from cold to hot, no mix	Inlet supplies reversed, hot must be connected to left	Feel mixer on the back to determine which side is hot, if right is hot, water supplies need to be reversed
Mixer shuts down during showering	Safety shut off, cold water failure	Check cold water supply is on and not blocked
No mix, only cold or tepid	Pressures not balanced and cold overriding hot	Increase hot water pressure or reduce cold, but maintain minimum pressure for mixer
Handles stiff to turn	Debris or limescale build up	Remove valves and clean
Poor flow from handshower or shower head	Debris or limescale build up or blockage in supply	Remove and clean, rubbing the nozzles with a soft brush
		Check all pipes and inlet for blockages







## Cleaning

To maintain the surface finish of your product, wipe clean regularly, using a clean damp cloth and dry cloth to polish. Do not use abrasive cleaning agents or materials on the product surface as you may invalidate your guarantee. Should any harsh chemicals come into contact with the surface of the product during bathroom cleaning, rinse off immediately, wipe clean and dry.

### For more information

- visit [betterbathrooms.com](http://betterbathrooms.com)
- email [customerservices@buyitdirect.co.uk](mailto:customerservices@buyitdirect.co.uk)
- call 0330 390 3062
- write to Trident Business Park, Neptune Way, Huddersfield, HD2 1UA

**better  
bathrooms**

Part of the BuyItDirect Group